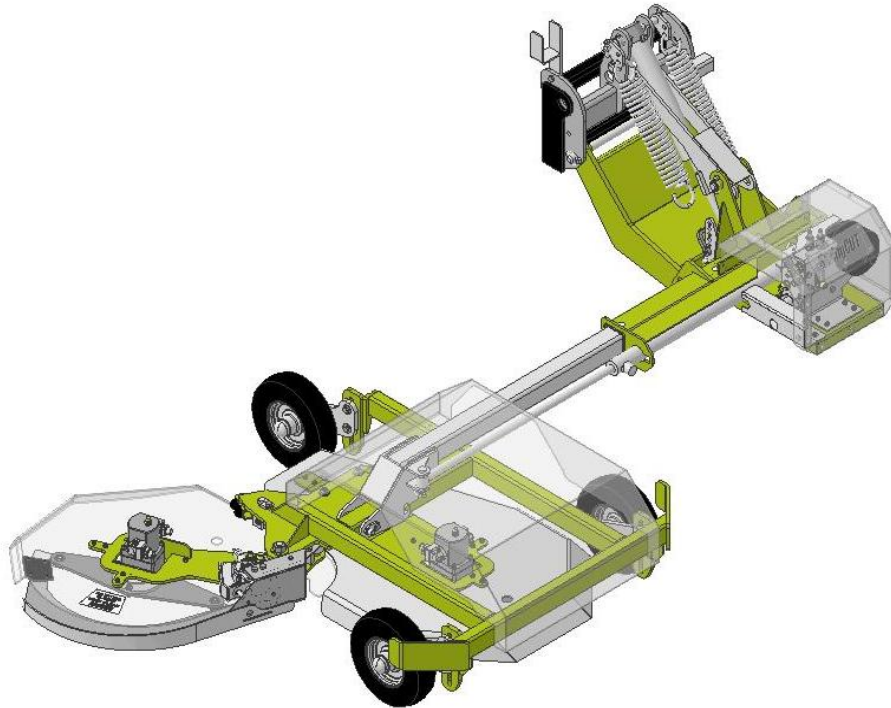


SWINGcut



Key Features	Benefits
Eliminate total weed spray applications	<ul style="list-style-type: none"> • Reduced input costs • Increased soil health & increased tree health • Commercially viable and sustainable organic weed control solution
Mow over existing cultivated ground	<ul style="list-style-type: none"> • Can be used in conjunction with cultivation control for bronze beetle control in pipfruit orchards • Very low ground weight and compaction due to spring mounted light-ride linkage design • Parallel lift and contouring linkage system minimises scalping • Provides effective weed control in late season before harvest
Compact Front-Mount Design	<ul style="list-style-type: none"> • Good headland manoeuvrability & full mowing visibility
Multi-task operations	<ul style="list-style-type: none"> • Can mow inter-row grass while under canopy mowing
All Hydraulic Operation	<ul style="list-style-type: none"> • Does not require front PTO • High-torque motors for heavy mowing conditions
Rapid Ground Speed (up to 6.0km/h)	<ul style="list-style-type: none"> • Reduced operational costs • Comparable with mowing or spraying speeds
Hydraulic Variable Row Width	<ul style="list-style-type: none"> • Rapid width adjustment while mowing along the row • Overall width retraction at row end for headland manoeuvrability
Quick Attach System	<ul style="list-style-type: none"> • Minimal setup time due to integral quick-attach linkage design • Can be mounted on front weight block, existing forklift frame or front linkage if required • Mount/Demount jack eliminates operator lifting
Mow in all weather Conditions	<ul style="list-style-type: none"> • Not constrained to spray windows or still conditions only • Able to mow before and during rain events



SWINGcut Specifications

Hydraulic Oil Flow Rate	: 45 litre/min
Hydraulic Remotes	: 1 x Pressure and 2 x Free Return
Tree Row Width	: 3.0 – 6.0m Rows
Swing Head Cutting Width	: 700mm swing head diameter
Overall Cutting Width	: 1,200mm over all cutting width (fixed and swing head)
Weight	: >350kg
Width	: 1.3m max distance from front of tractor
Mowing height	: 50mm to 200mm mowing height

