



HIGH SPEED SENSOR MOWER

8km/h Mowing Speed

Compact and Lightweight

1.6m to 3.0m row widths

PROVEN *performance*

REDUCED operational **COSTS**

Accurate and Precise **SENSING**

Patented technology

World Leading design

DUOcut 
UNDERVINE MOWER

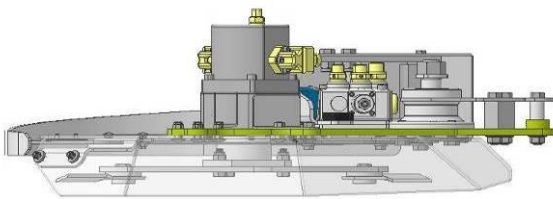
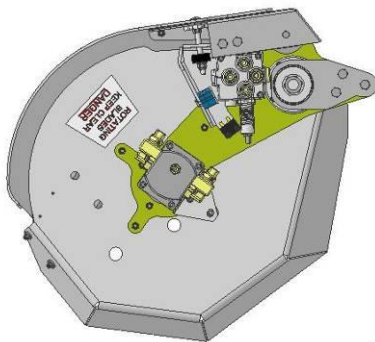
New Zealand Designed and Manufactured

All Hydraulic Design – Simple Plug & Mow Design



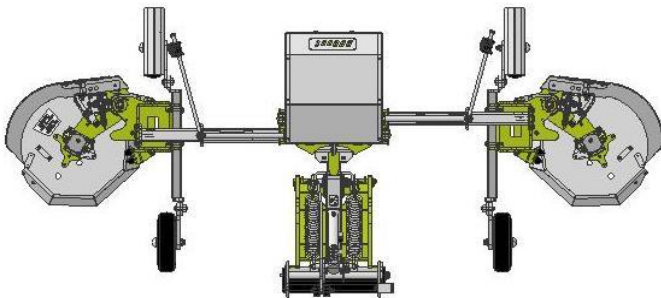
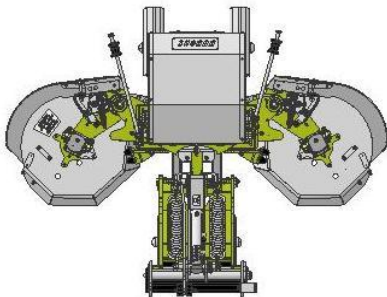
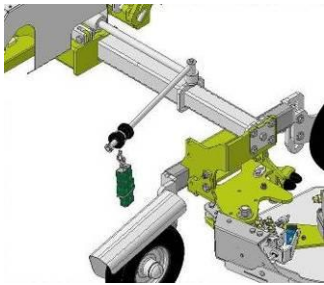
- **Front Mounted Mowing System**
 - Superior out-front visibility of mowing operation
 - No PTO requirement
 - Works with any rear mower width and all row widths
 - Mow the inter-row and under-vines in a single pass (multi-tasking operation)
- **Hydraulic Actuation In Both Directions**
 - Very fast and accurate
 - No spring bounce or fatigue
 - Patented hydraulic circuit design providing extremely fast sensing action
- **Hydraulic Requirements**
 - 45 Litre/min flow rate
 - Optimised for typical PTO economy RPM
 - 1 x pressure and 2 x return remotes

High Speed & Accurate Sensing – Industry Leading Design



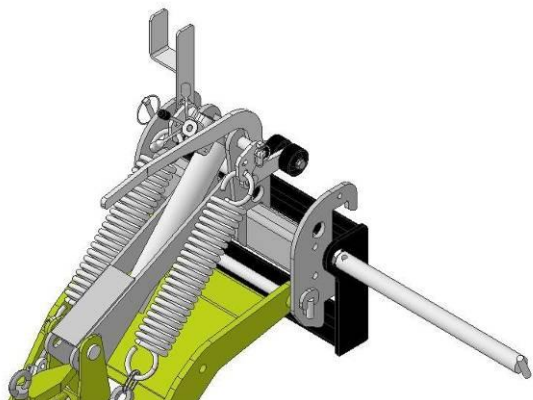
- **Mow up to 8km/h Forward Speed**
 - Comparable to inter-row mowing speed
 - Designed for accurate mowing at high-speed
- **Accurate Sensor Wand Design**
 - Accurately follows the cutting radius of the blades
 - Sensor wand is only 30mm away from the cutting blade height
 - Eliminates plant damage and provides very close cutting radius
 - Adjustable sensor weight – light adjustment for young plants and heavy adjustment for heavy grass conditions
- **Light Weight & High Strength Design**
 - Very light weight mower-head design
 - Minimises total movement inertia
 - High speed head direction change
 - Low mass high-tensile materials used
 - Heavy duty sub frame to absorb all shock loading
- **Minimal Moving Parts**
 - Direct actuation of mower head from the sensor wand
 - No complex linkage or electrical contacts in the sensing circuit
 - Designed for a very high duty cycle and low maintenance environment

Large Row Width Variation – All Row Widths Covered



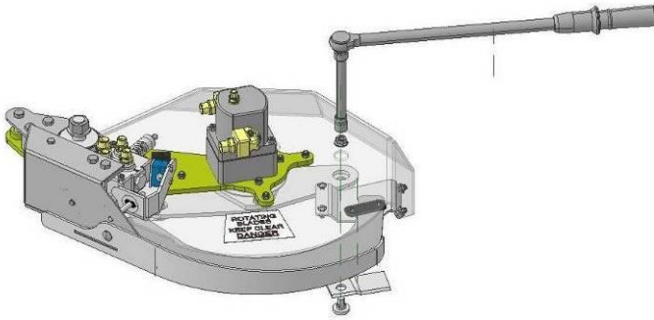
- **Vineyards Row Widths:**
1.6m to 3.0m
- **Kiwifruit, Citrus & Pipfruit Row Widths:**
3.0m to 5.5m
 - Hydraulic side-shift combined with mechanical telescoping width adjustment
 - Joystick adjustment of mowing width
- **500mm Cutting Diameter Per Side**
- **Override Side-shift Retraction**
 - Side-shift safety override system automatically retracts the mower width if set out too wide

Parallel Lift and Contouring Linkage – Eliminates Scalping



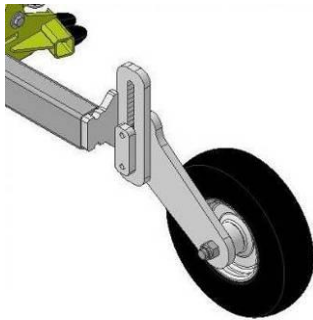
- **Simple Tractor Fitting**
 - Quick-attach mounting bracket attached to front of tractor
 - Can be mounted onto existing weight block or front linkage
 - Rapid fitting using hydraulic lift ram to attach and remove from the tractor
 - Eliminates operator lifting during mounting
- **Contouring Linkage On All Axis**
 - Parallel-lift linkage
 - Contours over undulating ground fully independent of tractor movement
 - Spring mounted to minimise rolling weight & compaction
 - Accurate tracking to vine row ground contours to minimise scalping

Low Operational Cost & Rapid Blade Replacement



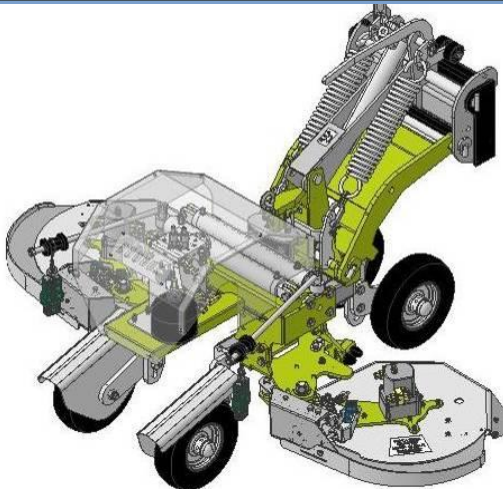
- **Low Cost Blade Replacement**
 - Blade cost is approx \$3 per blade
 - Total of 4 blades only to replace
 - Blades are double sided for double life
- **Rapid Blade Replacement**
 - Requires only a socket through the top cover to remove the blade retainer nut
 - The retainer bolt is keyed into the blade carrier eliminating the requirement for a second spanner
- **No Greasing Required**
 - Minimal operator maintenance required
 - Self lubricating bushes or sealed bearings used on all mowing parts
 - Eliminates premature wear due to dusty working environment & incorrect greasing technique

Simple Mowing Height Adjustment



- **Mowing Height Range of 50mm to 200mm**
 - Mowing height is simply adjusted by the sliding wheel brackets
- **Mowing Heads Can be Angled Up to Mow Over Mounded Rows**
- **Hydraulic Tilt Option Up To 45° Tilt Angle for Benched Rows**
- **Jockey Wheel Option Provides a Contouring Head Solution**

Compact Design – Operate in Narrow Rows & Tight Headlands



- **Weight: < 350 kg Total Mounted Weight**
- **Length: 1400mm (Max) From Front Of Tractor**
- **Good Headland Manoeuvrability**
 - Rapid side-shift and lift functions during headland manoeuvring

Joy Stick Controller – Full Control At Your Finger Tips



- **Complete Mower Control From the Joystick Controller**
 - Finger tip control of all mower functions
 - Adjustable controller mount system to provide optimum operator comfort and flexibility
 - Waterproof design for ROPS tractors
 - Controller can be unplugged from the main wiring loom for quick de-mounting from the tractor
- **Blades can be turned on/off from Controller**
 - Can operate and test all hydraulic functions without operating the blades
- **Simple 12V Relay Design**
 - Proven performance in harsh working environments
 - Standardised relays for simplistic fault finding and readily available spare parts